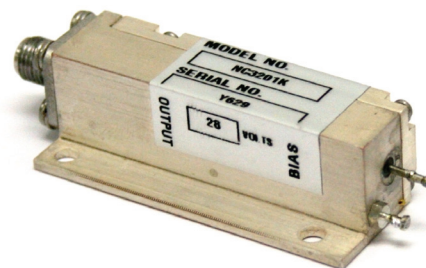


NC3200K Series

10 MHz to 18 GHz



Calibrated Coaxial Noise Sources

Noisecom's NC3200 Series offers a high ENR output over a wide frequency range. These calibrated noise sources have excellent stability with temperature and voltage for tough environments. The compact package is designed for severe environments such as military EW RWR systems. Specials are available upon request.

Like all Noisecom noise sources, the NC3200 Series features hermetically sealed noise diodes and each noise source is supplied with calibration data for the full frequency band.

Applications

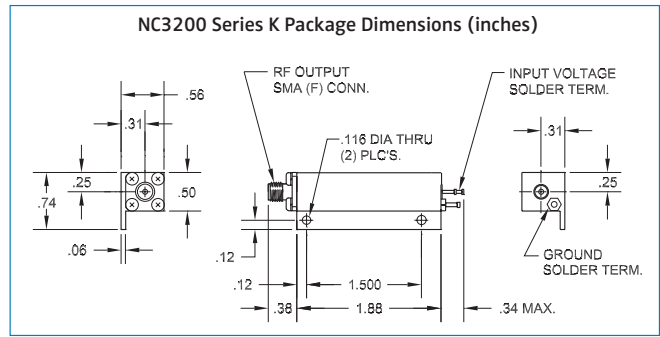
- Radar warning receivers (RWR)
- Built-in test equipment (BITE)
- Military aircraft

Specifications

Noise output rise and fall times	Less than 1 μ s (NC3208K)
VSWR	Less than 3:1
Noise output variation	
With temperature	Less than 0.01 dB/ $^{\circ}$ C
With voltage	Less than 0.1 dB/1% Δ V
Operating temperature	-55 $^{\circ}$ to 85 $^{\circ}$ C
Storage temperature	-65 $^{\circ}$ to +125 $^{\circ}$ C
Input power	+28 VDC 20 mA typical
Noise output	23 to 27 dB ENR

Options

NC3Kopt01	+15 VDC input voltage
NC3Kopt02	MIL-STD-883 screening



High Noise Output Types

Model	Frequency Range (GHz)	Noise Output ENR (dB)	Flatness (dB)	VSWR	Calibration Frequencies	I (max) (mA)
NC 3201K	10 kHz - 1 GHz	23-27	± 1	3:1	10, 100, 500 and 1000 MHz	30
NC 3208K	1 GHz - 18 GHz	23-27	± 1	3:1	1 GHz steps	30

Wireless Telecom Group Inc.
 25 Eastmans Rd
 Parsippany, NJ
 United States
 Tel: +1 973 386 9696
 Fax: +1 973 386 9191
www.noisecom.com

© Copyright 2011
 All rights reserved.

NC/NC3200/0811/EN
 Note: Specifications, terms and conditions
 are subject to change without prior notice.